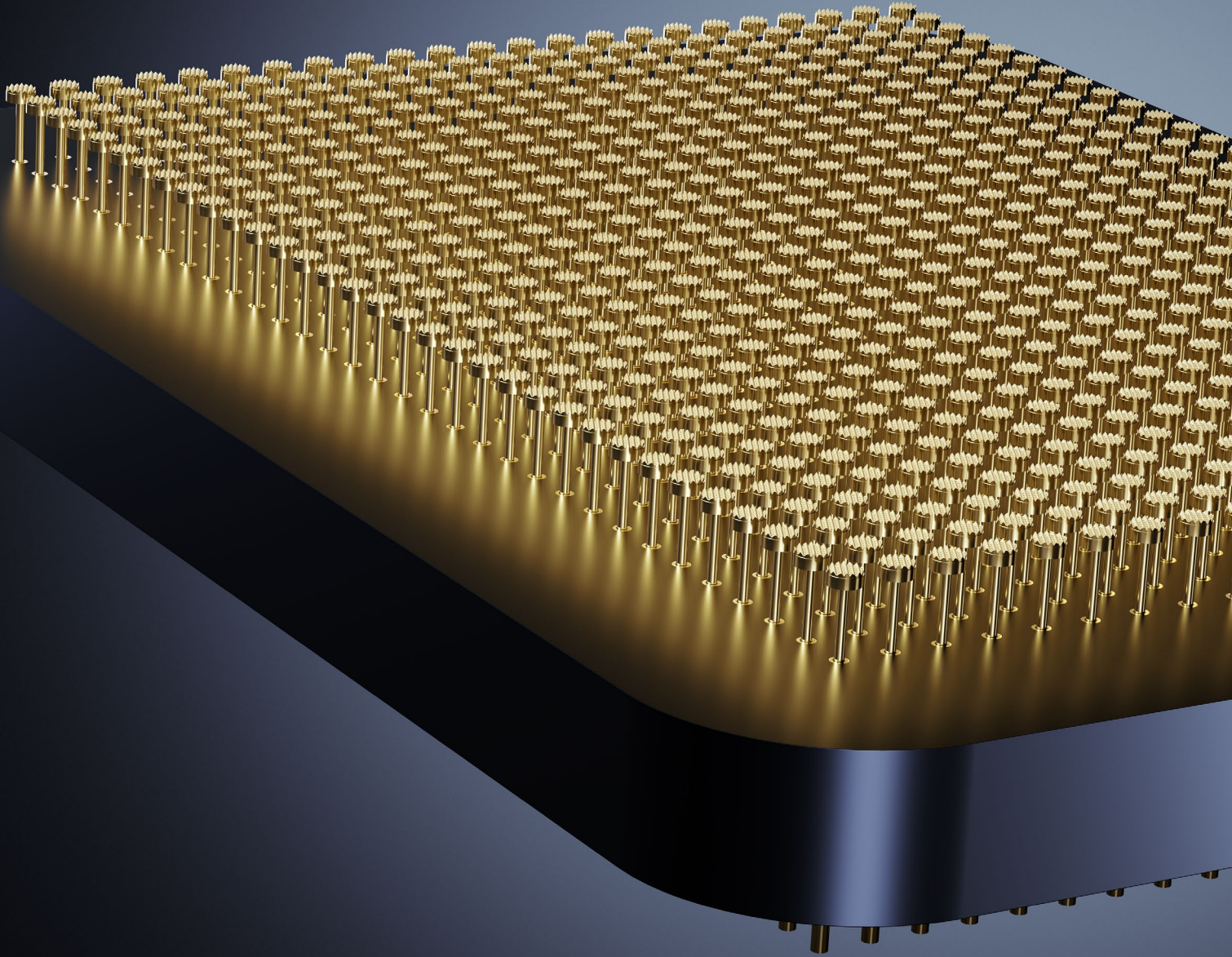




FEINMETALL

Contact Technologies

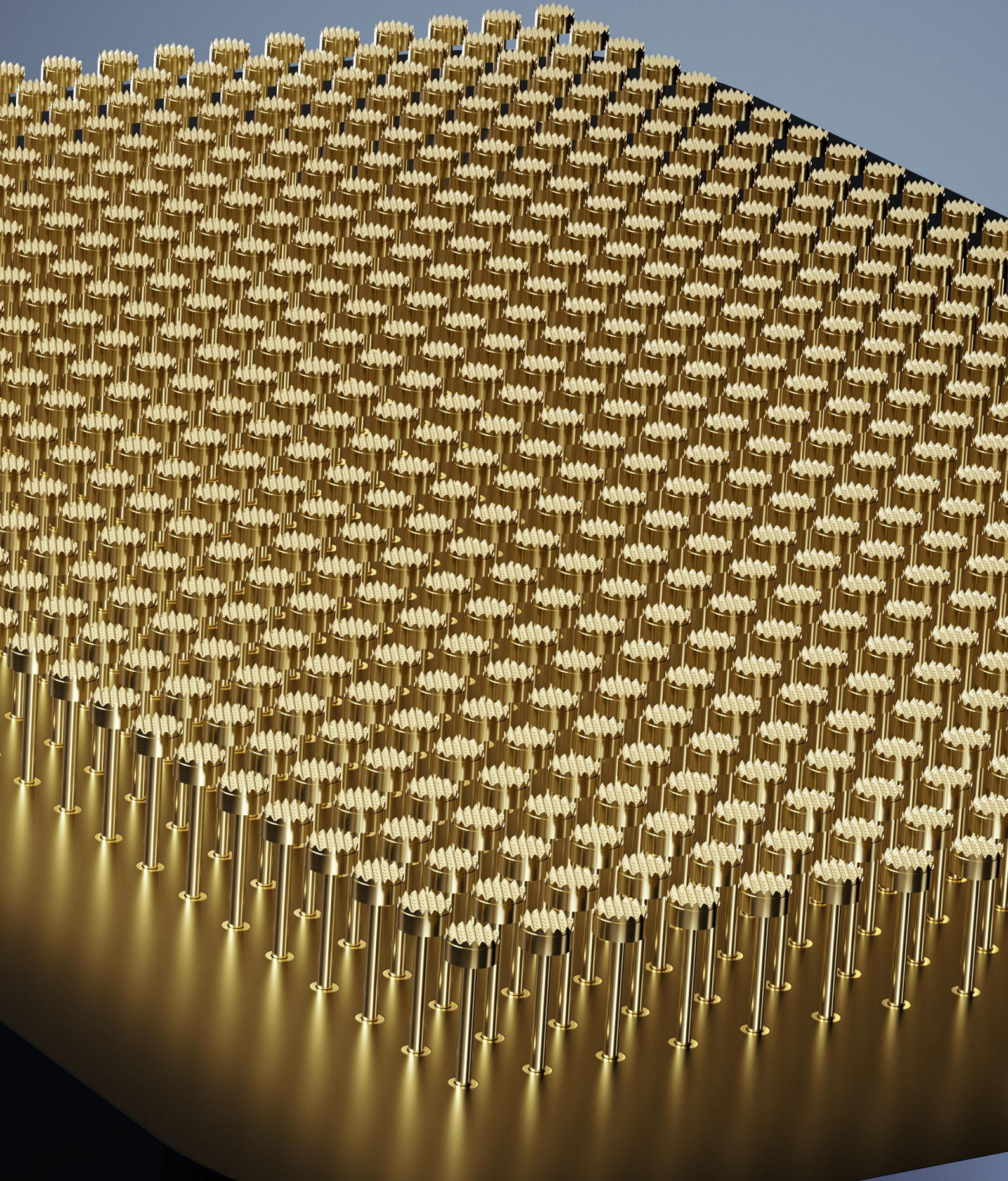


MINT PIN SERIES

For defined Test systems

> [FEINMETALL.COM](https://www.feinmetall.com)

MINT PIN



GENERAL INFORMATION

Application and Mounting

The so-called “Mint Pin” is used as a interface pin in test systems by various manufacturers for reliable transmission of test signals. A constant and low contact resistance is particularly important for good test performance. FEINMETALL offers the Mint Pin in all standard spring forces.

Benefits

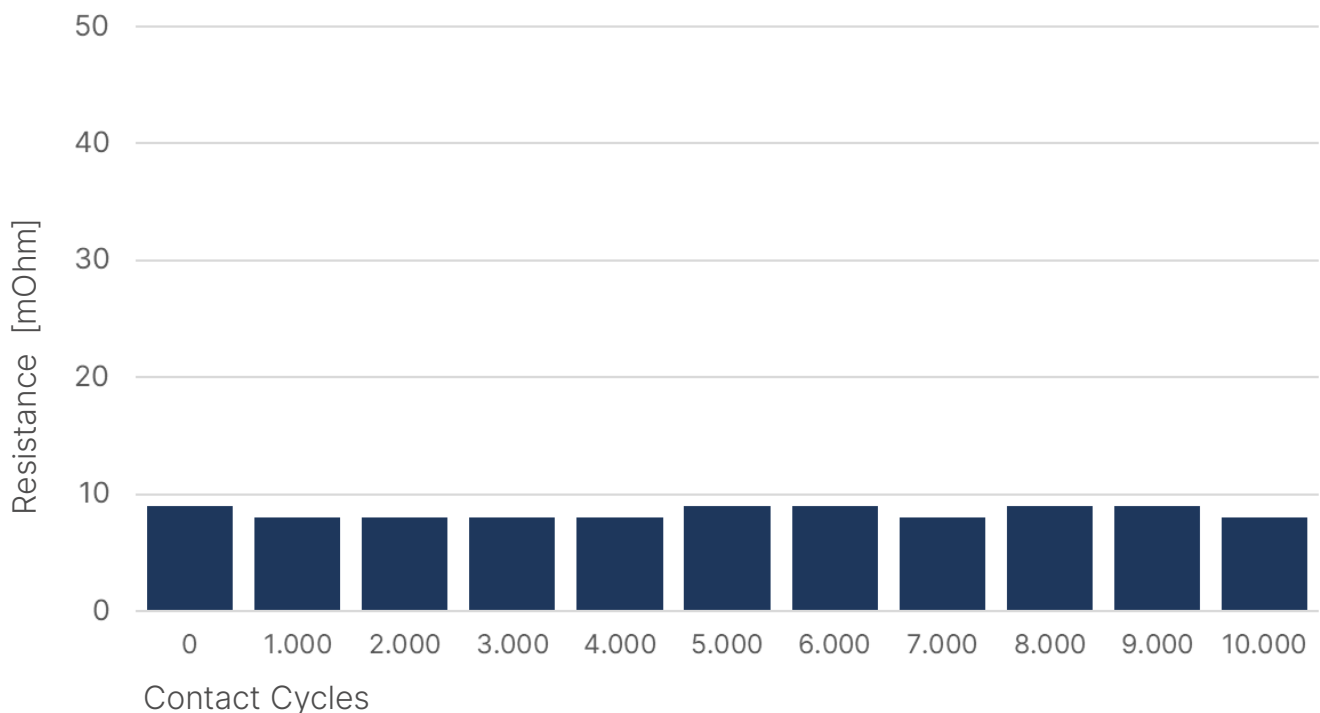
Customers benefit from the performance features and properties listed below.

- Constant and very low contact resistance
- Robust construction: reliable performance, even under demanding conditions
- High electrical conductivity: reliable measurements and accurate results
- Precise testing: check connections with absolute accuracy
- Attractive conditions & fast delivery time, as part of the FM Choice portfolio

Diagram

The diagram below shows the contact resistance of the F10006B310G100 over 10,000 life cycles. The resistance is even lower at higher spring forces.

Resistance of Contact Probe vs. Cycles



F100

Up to 5 A | 138 mil | Mint Pin
for defined Testsystems



Electrical specifications

Current [A]	5
R _{TYP} [mOhm]	<20

Mechanical specifications

Temperature [°C]	-45°...+100°
Preload [cN]	54 / 60 / 80 / 80 / 90
Spring force [cN] at nt ±20%	100/130/150/200/225
Nominal travel [mm]	4.3
Maximum travel [mm]	6.4

Materials and plating

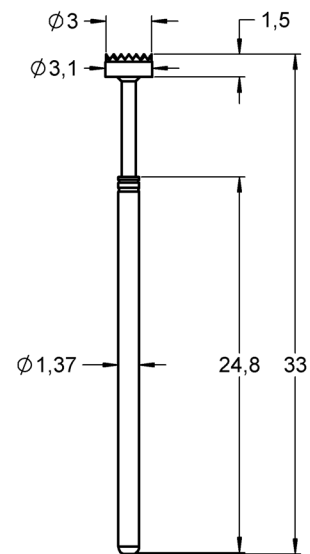
Plunger	BeCu	gold plated
Barrel	Brass	gold plated
Spring	Spring steel	silver plated

Accessories

1003566	FDWZ-100	Insertion tool probe
---------	----------	----------------------

Series drawing

All measurements are in mm.



The receptacle H100 can be used for mounting.

Order code	Product name	Tip style	Testsystems			FM Choice
1018180	F10006B310G100	06	HP3070	i3070	i5000	FM Choice
1134056	F10006B310G130	06	HP3070	i3070	i5000	FM Choice
1018181	F10006B310G150	06	HP3070	i3070	i5000	FM Choice
1130531	F10006B310G200	06	HP3070	i3070	i5000	FM Choice
1018193	F10006B310G225	06	HP3070	i3070	i5000	FM Choice

FM Choice

What is FM Choice?

FM Choice is our specially curated selection of the most reliable and frequently used probes in the market. Based on our expertise and experience, we have pre-selected the top-performing probes, so you don't have to choose from hundreds of options. With FM Choice, we make your decision easier by offering the most trusted solutions that meet your needs.

One of the greatest advantages of FM Choice is high availability and fast delivery, as we can often ship directly from our stock. This enables us to meet your demands whenever you need them. Plus, FM Choice offers competitive pricing, even for smaller quantities, making it an attractive solution for all kinds of projects.

Our portfolio includes over 700 contact probes for pitches between 6 and 100 mil, covering a wide range of applications and ensuring we meet most technical requirements quickly and efficiently.

Benefits at a glance



Most trusted solutions



Competitive prices



Fast delivery & high availability

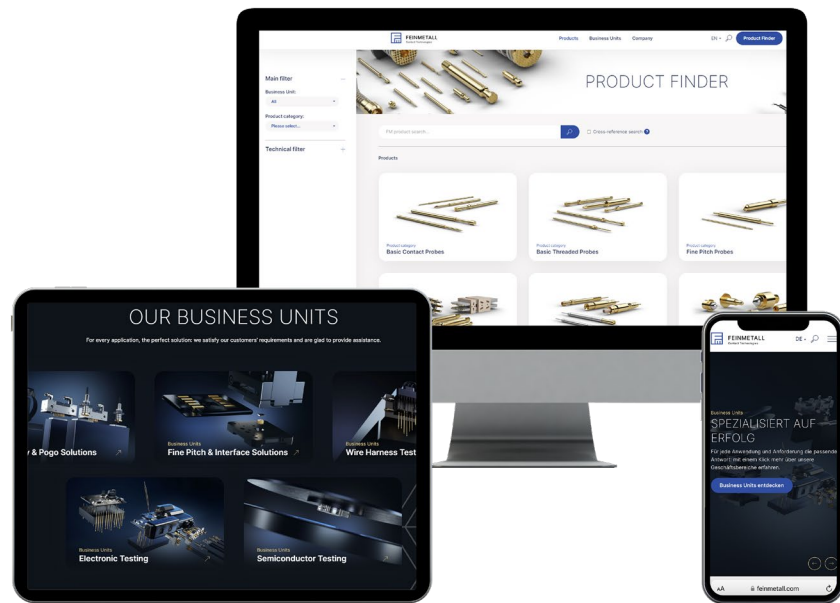
Discover FM Choice products online

With our new Product Finder, we offer you a complete overview of all FM Choice products that you can easily search through. This high-performance tool allows you to search for specific products and compare them based on their technical features.

In addition to the FM Choice products, we invite you to explore the other categories to discover our complete product portfolio. Start your selection now and experience the variety and quality of our products.



> FEINMETALL.COM/PRODUCT-FINDER



FIND US ONLINE

Our website

Welcome to the digital world of FEINMETALL. We offer you innovative contacting solutions that exceed your expectations. Visit our website at FEINMETALL.com and be inspired by the wide range of services customized to industry-specific needs. By using innovative technologies and advanced manufacturing methods, we deliver products of the highest quality and precision that can be used in various industries such as automotive, electronics, aerospace and medical. Our dedicated team is on hand to understand your requirements and help you to find the best solutions to your challenges.

> [FEINMETALL.COM](https://www.feinmetall.com)

Join the community

Connect with us on LinkedIn, Instagram and YouTube. We take you behind the scenes at FEINMETALL and offer exciting insights into the various areas of the company. With exciting content, we stay true to our passion for precision and technology. Receive regular updates about our company, including new product launches and developments, reports on events and trade fairs, company news and more. We'll also keep you up to date on new career opportunities and job openings. Connect with us now and become a part of our community. Stay up to date and don't miss out on more about FEINMETALL.

> [LINKEDIN.COM/COMPANY/FEINMETALL-GMBH](https://www.linkedin.com/company/feinmetall-gmbh)

> [INSTAGRAM.COM/FEINMETALL.GMBH](https://www.instagram.com/feinmetall.gmbh)

> [YOUTUBE.COM/@FEINMETALL](https://www.youtube.com/@feinmetall)



CATALOGS & FLYERS

Concentrated knowledge

All the specs and details you could need – it's all right there in our catalogs. And if you still have questions, we'll be glad to provide personalized support.

> [FEINMETALL.COM/DE/UNTERNEHMEN/KATALOGE-UND-FLYER](https://www.feinmetall.com/de/unternehmen/kataloge-und-flyer)



PASSION
FOR FINEST
TECHNOLOGY.

> FEINMETALL.COM

